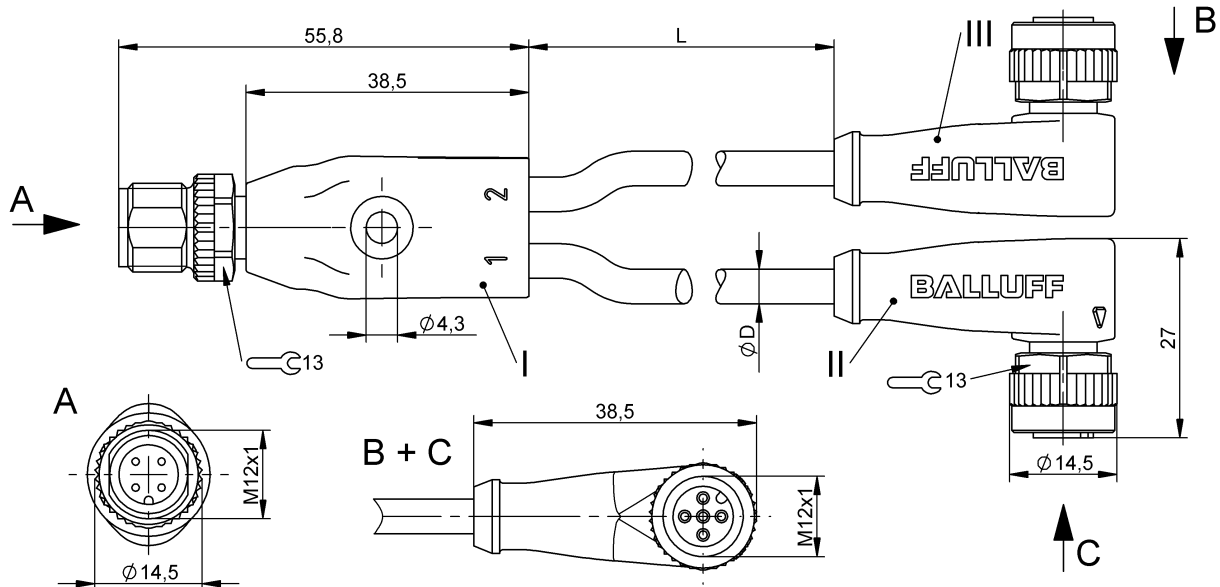


Y-Splitters

BCC M414-M425-M425-U2010-006

Order Code: BCC0ALM

BALLUFF



Basic features

Approval/Conformity	CE WEEE
---------------------	------------

Electrical connection

Cable diameter D	4.70 mm ±0.15 mm
Conductor cross-section	22 AWG
Connection 1	M12x1-Male, straight, 4-pin, A-coded
Connection 2	M12x1-Female, angled, 5-pin, A-coded
Connection 3	M12x1-Female, angled, 5-pin, A-coded
Connector 01, version	straight
Connector 02, version	angled
Connector 03, version	angled
Number of conductors	3/3
Number of pins	4/5/5
System	Molded/Molded/Molded

Electrical data

Cable rated voltage AC max.	300 V
Cable rated voltage DC max.	300 V
Operating voltage U_b	250 VDC / 250 VAC
Rated current (40 °C)	4.0 A

Environmental conditions

IP rating	IP67, IP68, IP69K/IP67, IP68, IP69K
-----------	-------------------------------------

Material

Cable jacket, material	PVC
Material contact carrier	PUR/PUR/PUR
Material contacts	Brass/Bronze/Bronze
Material cover nut	Die-cast zinc/Die-cast zinc/Die-cast zinc
Material grip	PUR/PUR/PUR

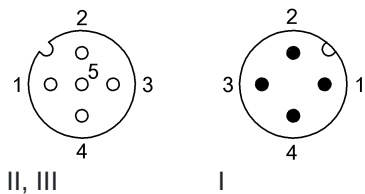
Mechanical data

Cable jacket, color	Yellow
Cable length L	0.60 m
Tightening torque pigtail	0.6 Nm/0.6 Nm/0.6 Nm

Remarks

Bulk cable approval per UL-AWM Style 2661 & CSA AWM I/II A/B
Enclosure rating per IEC 60529, only in screwed state with the associated mating piece.

Connector Drawings



Wiring Diagrams

